

C200S Microturbine

Landfill Gas

Achieve lower emissions and reliable electrical generation with digester gas.



C200S Microturbine

Benefits

- Ultra-low emissions
- Accepts sour gas fuels with up to 5,000 ppm H₂S
- One moving part – minimal maintenance and downtime
- Patented air bearings – no lubricating oil or coolant
- Integrated utility synchronization – no external switchgear⁽¹⁾
- Compact modular design allows for easy, low-cost installation
- Multiple units easily combined – act as single generating source
- Remote monitoring and diagnostic capabilities
- Proven technology with tens of millions of operating hours
- Various Factory Protection Plans available

Electrical Performance⁽¹⁾

Electrical Power Output ⁽²⁾	200kW
Voltage	400/480 VAC
Electrical Service	3-Phase, 4 Wire Wye
Frequency	50/60 Hz
Electrical Efficiency LHV	33%

Fuel/Engine Characteristics⁽¹⁾

Landfill Gas HHV	13.0–22.4 MJ/m ³ (350–600 BTU/scf)
H ₂ S Content	< 5,000 ppmv
Inlet Pressure	517–552 kPa gauge (75–80 psig)
Fuel Flow HHV	2,400 MJ/hr (2,280,000 BTU/hr)
Net Heat Rate LHV	10.9 MJ/kWh (10,300 BTU/kWh)

Exhaust Characteristics⁽¹⁾

NOx Emissions @ 15% O ₂	9 ppmvd (18 mg/m ³)
Exhaust Mass Flow	1.3 kg/s (2.9 lbm/s)
Exhaust Gas Temperature	280°C (535°F)

**Smarter Energy
for a Cleaner Future**

Dimensions & Weight⁽³⁾

Width x Depth x Height	3.0 x 2.5 x 3.0 m (117 x 100 x 119 in)
Weight - Grid Connect Model	5,200 kg (11,400 lbs)

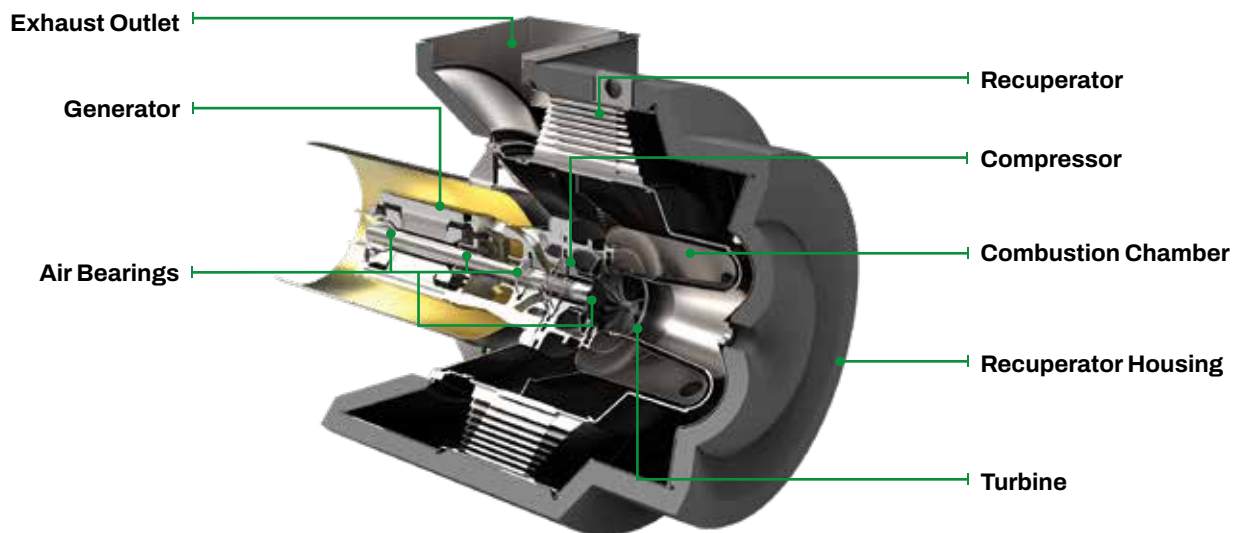
Minimum Clearance Requirements⁽⁴⁾

Horizontal Clearance	
Left	1.5 m (60 in)
Right	0.0 m (0 in)
Front	1.7 m (65 in)
Rear	2.2 m (85 in)

Certifications

- UL 2200 Listed
- CE Certified
- Certified to the following grid interconnections standards: UL 1741-SA, VDE, BDEW, CEI 0-16, and AS4777
- Compliant to California Rule 21

C200 Engine Components



(1) Nominal full power performance at ISO conditions: 15°C (59°F), 14.696 psia, 60% RH

(2) Minimum power output is 100kW when operating in Grid Connect Mode

(3) Approximate dimensions and weights

(4) Clearance requirements may increase due to local code considerations

Specifications are not warranted and are subject to change without notice.