

# C65 Microturbine

## Landfill Gas



**Achieve ultra-low emissions and reliable electrical generation from landfill gas.**

- + Ultra-low emissions
- + Accepts sour gas fuels with up to 5,000 ppm H<sub>2</sub>S
- + One moving part – minimal maintenance and downtime
- + Patented air bearings – no lubricating oil or coolant
- + Integrated utility synchronization – no external switchgear
- + Compact modular design allows for easy, low-cost installation
- + Multiple units easily combined – act as single generating source
- + Remote monitoring and diagnostic capabilities
- + Proven technology with tens of millions of operating hours
- + Various Factory Protection Plans available



C65 Microturbine

### Electrical Performance<sup>(1)</sup>

Electrical Power Output <sup>(2)</sup>	65kW
Voltage	400/480 VAC
Electrical Service	3-Phase, 4 Wire Wye
Frequency	50/60 Hz
Electrical Efficiency LHV	29%

### Fuel/Engine Characteristics<sup>(1)</sup>

Landfill Gas HHV	13.0–22.4 MJ/m <sup>3</sup> (350–600 BTU/scf)
H <sub>2</sub> S Content	< 5,000 ppmv
Inlet Pressure	517– 551 kPa gauge (75–80 psig)
Fuel Flow HHV	888 MJ/hr (842,000 BTU/hr)
Net Heat Rate LHV	12.4 MJ/kWh (11,800 BTU/kWh)

### Exhaust Characteristics<sup>(1)</sup>

NO <sub>x</sub> Emissions @ 15% O <sub>2</sub>	< 9 ppmvd (18 mg/m <sup>3</sup> )
Exhaust Mass Flow	0.49 kg/s (1.08 lbm/s)
Exhaust Gas Temperature	309°C (588°F)

### Dimensions & Weight<sup>(3)</sup>

Width x Depth x Height <sup>(4)</sup>	0.76 x 1.95 x 1.91 m (30 x 77 x 75 in)
Weight	758 kg (1,671 lb)

*Reliable power when and where you need it. Clean and simple.*

## Minimum Clearance Requirements<sup>(5)</sup>

Horizontal Clearance	
Left & Right	0.76 m (30 in)
Front	0.76 m (30 in)
Rear	0.91 m (36 in)

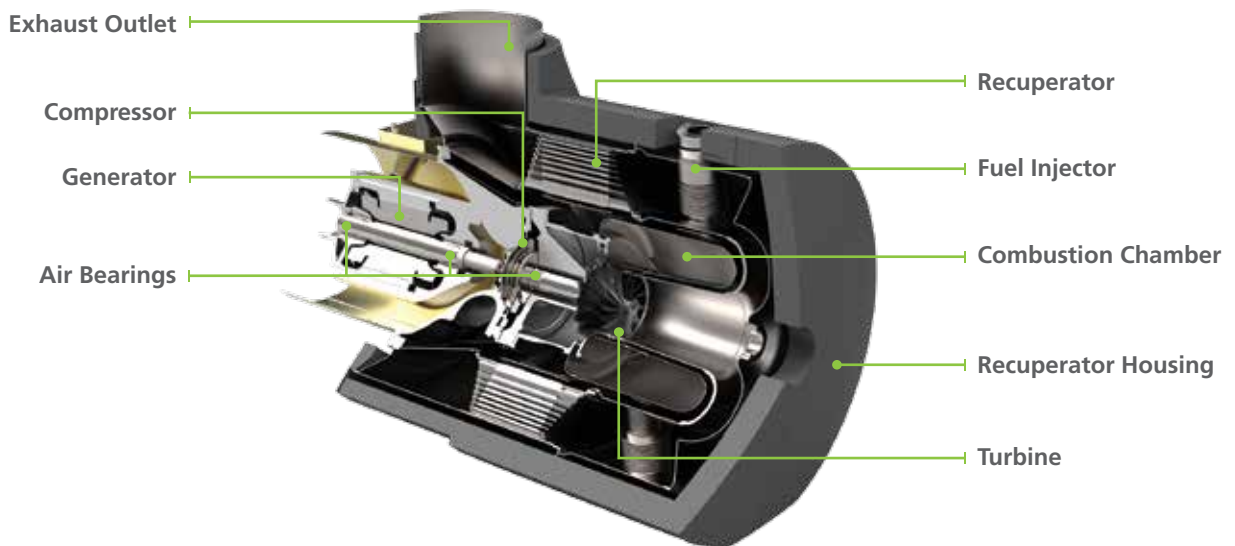
## Acoustic Emissions

Nominal at Full Power at 10 m (33 ft) <sup>(6)</sup>	70 dBA
--	--------

## Certifications

- UL 2200 Listed
- CE Certified
- Certified to the following grid interconnection standards: UL 1741, VDE, and BDEW
- Compliant to California Rule 21

## C65 Engine Components



(1) Nominal full power performance at ISO conditions: 15°C (59°F), 14.696 psia, 60% RH

(2) Minimum power output is 35kW

(3) Approximate dimensions and weights

(4) Height dimensions are to the roofline. Exhaust stack extends at least 178 mm (7 in) above the roofline

(5) Clearance requirements may increase due to local code considerations

(6) The optional acoustic inlet hood kit can reduce acoustic emissions at the front of the microturbine as much as 5 dBA  
*Specifications are not warranted and are subject to change without notice.*

